

## YLP SERIES STARTER BATTERIES

### Aliant quality best price!

12 V / 5 – 7 – 8 – 10 – 14 Ah Pb.Eq.

Ultralight starter batteries based on safest lithium iron phosphate technology.

High performance at low temperature, long life and competitive prices make the new YLP Series the battery with the best quality price ratio currently in the market.

This ultracompact product line has been developed specifically for high cranking application such as motorcycles, ATV and Quad.

This family of product is suitable for replacing all the Lead Acid battery type usually installed today without requiring any change to the vehicle electric system. Please check our online configurator to choose the right model for your application.



#### Exclusive features

- Good behavior at high and **low temperature (test @ -18°C)**
- Up to **3000 charge/discharge cycles**
- Up to **12000 starts**
- Weight reduction: 50% lighter than traditional batteries
- Ultra rapid complete charge: 100% in less than 40'
- **Ultra rapid partial charge** in less than 2 minutes
- Lowest self discharge rate: < 0.3 % daily (battery disconnected)
- Longer life : 3 to 5 times higher than traditional batteries
- Fit any mounting position

#### Eco-compatible and safe

- Lithium iron phosphate cells make the accumulator safer
- **Active Balancing embedded control electronics with Microprocessor control**
- No liquids inside
- Low impact materials
- No lead nor other materials
- Robust ABS recyclable case

#### Qualità

- QC on each piece for every step of the assembling process
- **Assembled in Italy**
- Cutting edge last generation components

#### Certificazioni

- EMC Compatibility [ EN 61000-6-1, EN 61000-6-3 ]
- CE declaration
- ROHS compliant [ 2002/95/EC ]

#### Wall charger (optional)

- Battery can be charged from the grid using wall charger Aliant™ CB1203 / CB1210\* or using a compatible battery charger / maintainer\*\*

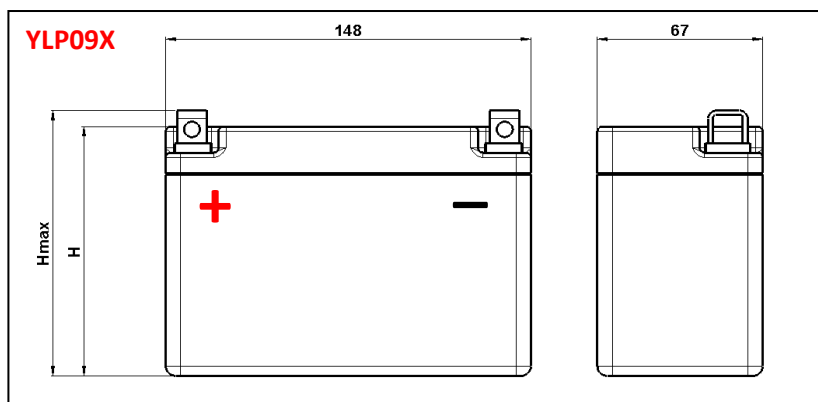


Find the right battery for your vehicle → [www.go-aliant.com](http://www.go-aliant.com)

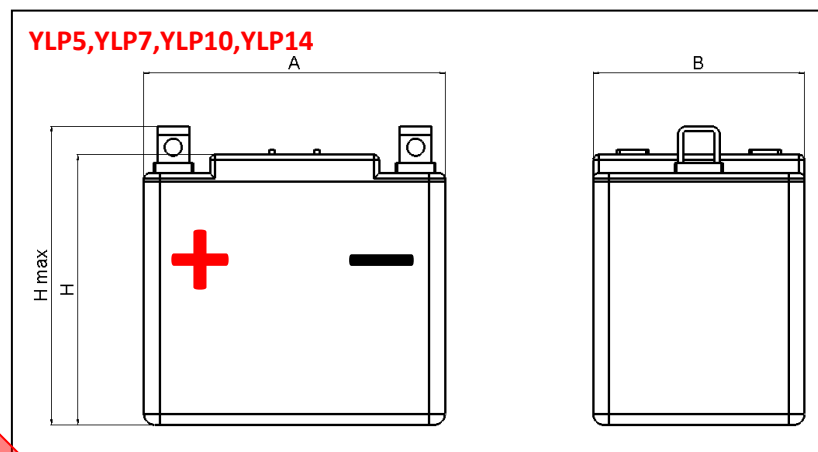
## Specifications

Model	YLP05	YLP07	YLP09X	YLP10	YLP14
Nominal Voltage	13,2 V				
Pb equivalent capacity	5 Ah	7 Ah	8 Ah	10 Ah	14 Ah
Current CA @ 23°C	170 A	260 A	280 A	380 A	490 A
Current CCA @ -18°C	85 A	130 A	140 A	200 A	245 A
Max charging current	5 A	5 A	10 A	10 A	10 A
N° cycles	3000 cycles @ 70% D.o.d. (charge 1C / discharge 1C) 2000 cycles @ 80% D.o.d. (charge 1C / discharge 1C)				
N° starters	12000				
Shelf life	Up to 1 year without any recharge				
Charging Voltage	14,4 V				
Max charging voltage	14,6 V				
Weight	≈ 430 g	≈ 450 g	≈ 800 g	≈ 740 g	≈ 760 g
Dimensions [mm]	L114 x P40 H90	L114 x P40 H90	L148 x P67 H85	L114 x P69 H90	L114 x P69 H90
Ambient temperature	-30°C / +60°C [ operative and storage ]				

## Dimensions [mm]



Model	H	Hmax	A	B
YLP5	90	98	114	40
YLP7	90	98	114	40
YLP09X	78	85	148	67
YLP10	90	98	114	69
YLP14	90	98	114	69



Numero Verde  
**800 132 166**



[www.go-aliant.com](http://www.go-aliant.com)

\*CB1203 compatible for all models. CB1210 only for YLP09X / YLP10 / YLP14 models.

\*\* Check on the Aliant website list of the compatible battery chargers – [www.go-aliant.com](http://www.go-aliant.com)

The use of non compatible battery chargers / maintainers will immediately invalidate the product warranty and can immediately damage the Aliant batteries.

Do not short. **Read carefully User Manual before using the battery.**

This datasheet may be changed by ELSA Solutions without any notice. Aliant batteries are not homologated for regular road use in cars.